

KT17

KLUBB®

CONFIDENCE AT ITS HIGHEST LEVEL

AERIAL PLATFORM MOUNTED ON A CHASSIS



Working height



Rent and Sale@GROEP MAES
+32 495 29 29 88
<http://www.rentandsaleatgroepmaes.be>
Boudewijnlaan 5
2243 Pulle Belgium

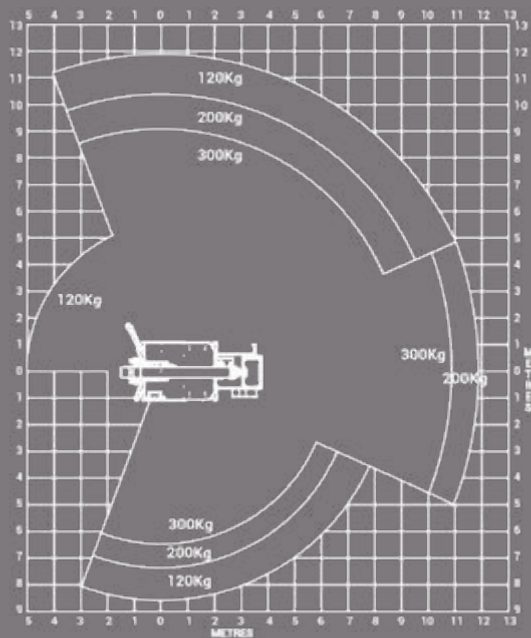
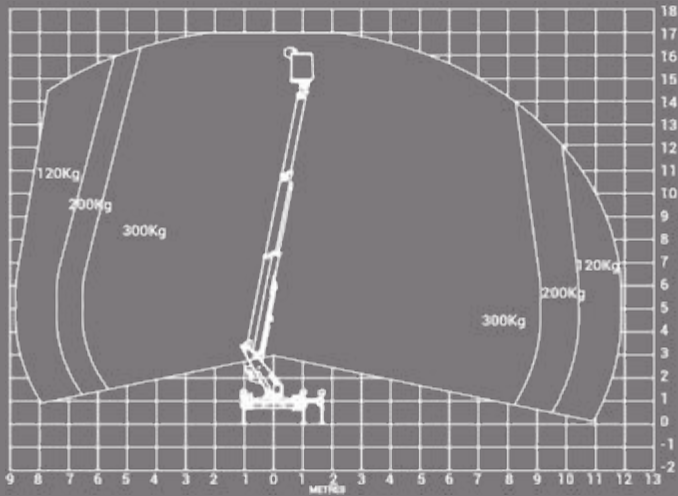


KT17 TELESCOPIC AERIAL PLATFORM

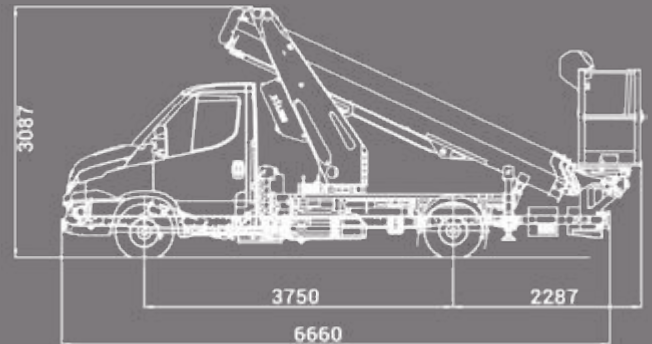
mounted on a chassis



WORKING DIAGRAM



VEHICLE DRAWING



STANDARD SPECIFICATIONS

- Engine start and stop from basket
- Independent emergency manual pump with all the features in the basket for maximum security
- Proportional controls
- Hoses and cables are inside the boom structure for maximum protection
- Outriggers in the template for reduced congestion in the streets (working outreach reduced)
- Aluminium boom for optimum stability
- Automatic stabilization (top and bottom)
- Home function with automatic stabilizer lift

AERIAL PLATFORM OPTIONS

- Outriggers extended at the front, left side or right side for a full working outreach
- Signalling devices (triflash, 2 flashing lights, reflective strips)
- 220V electric socket in the basket
- Fully opening insulated basket
- Basket BT200
- Aluminium chests and side panels
- Side ladder rack
- Toolholders in the basket

For more platform options, please contact us before ordering



16.80m
(55'1")



Up to 11.50m
(37'7")



14.80m
(48'5")



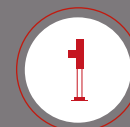
420°



Rotating basket
2x90°



Up to 300kg



4 outriggers



125 x 75 x 110cm



≤ 3.5T



POSSIBLE TYPES OF VEHICLES

- IVECO DAILY (wheelbase 3750)
- MERCEDES 313 CDI (wheelbase 3665)

For vehicle options, please contact us before ordering

/ DEMONSTRATION ON DEMAND

